

REV	ZONE	ECN	DESCRIPTION OF REVISION	CK APPD DATE	ENG APPD DATE
A			OSR-3 RELEASE	06/26/2K	06/26/2K

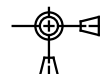
TABLE OF CONTENTS		
Section	Page	Description
Contents	1.	Cover Page
	2.	Technical Block Diagram
Decoder	3.	OSR-3 Schematic
Other	4.	Reference Info & Refvision History

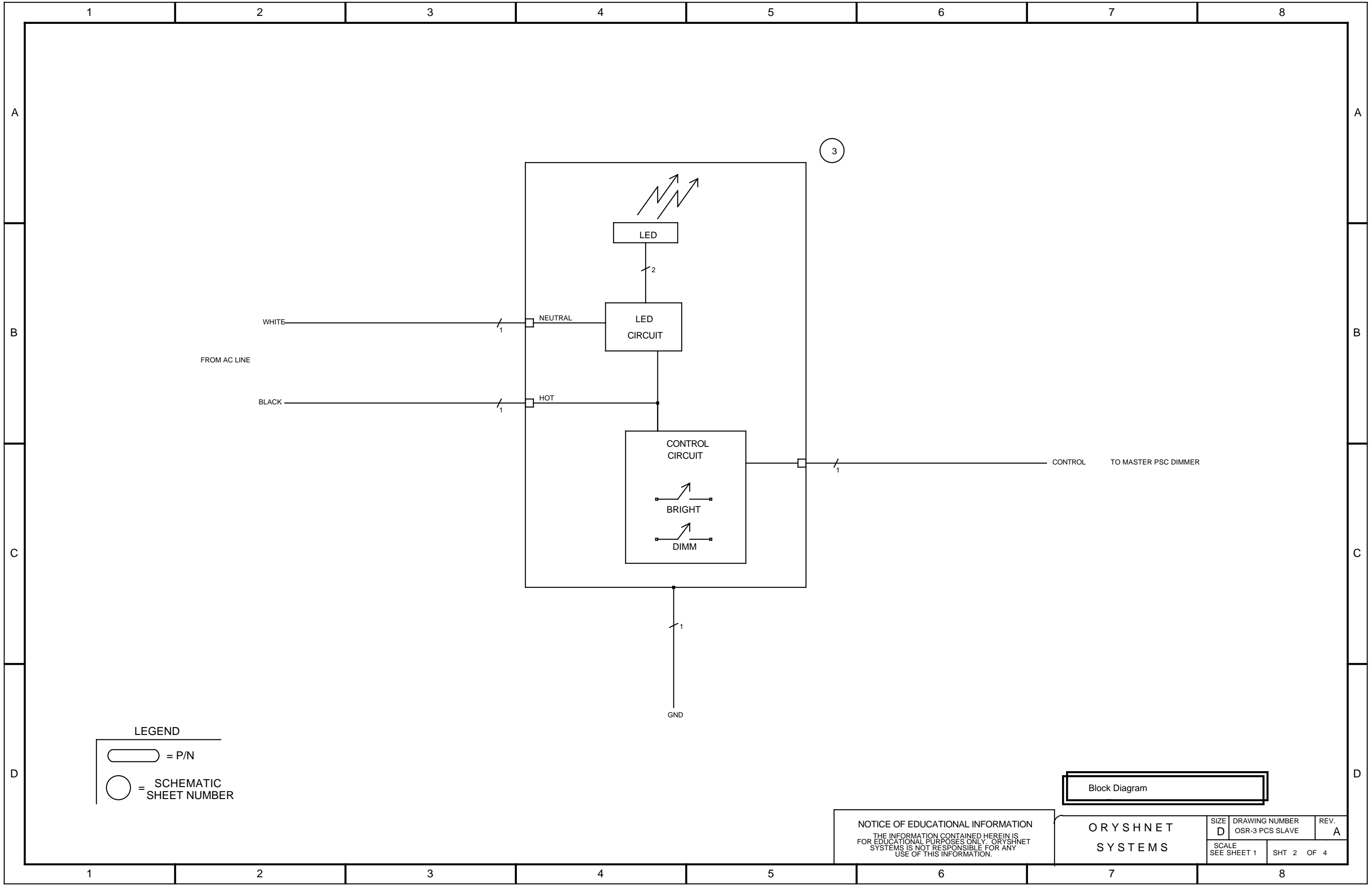
PCB VERSION SUPPORT				
PART NUMBER	QTY	DESCRIPTION	ASSOCIATED REFERENCE DESIGNATORS	BOM OPTION
OSR-3 PCB1	1	PCB, OSR-3 PCB, FAB1	PCB1	\$PCB REV, 1ST FAB

**BOM OPTIONS  
SPECIAL CHARACTERS  
LEGEND**  
(SHOWN DIRECTLY IN FRONT OF THE BOM OPTION NAME)

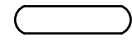
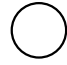
- "\$" = DEFAULT BOM OPTION
- "=" = COPY TO COOKED BOM BUT DO NOT COOK

Cover Page

DIMENSIONS ARE EXPRESSED IN MILLIMETERS X.X± _____ X.XX± _____ X.XXX± _____ ANGLES± _____ DO NOT SCALE DRAWINGS  THIRD ANGLE PROJECTION	<b>METRIC</b>			<b>ORYSHNET SYSTEMS</b>	
	DRAFTER	DESIGN CK		NOTICE OF EDUCATIONAL INFORMATION	
	ENG APPD	MFG APPD		THE INFORMATION CONTAINED HEREIN IS FOR EDUCATIONAL PURPOSES ONLY. ORYSHNET SYSTEMS IS NOT RESPONSIBLE FOR ANY USE OF THIS INFORMATION.	
	QA APPD	DESIGNER		TITLE	
RELEASE	SCALE	NONE	OSR-3 PCS SLAVE		
MATERIAL/FINISH NOTED AS APPLICABLE	SIZE	D	DRAWING NUMBER	0001	REV. A
			SHT 1 OF 4		



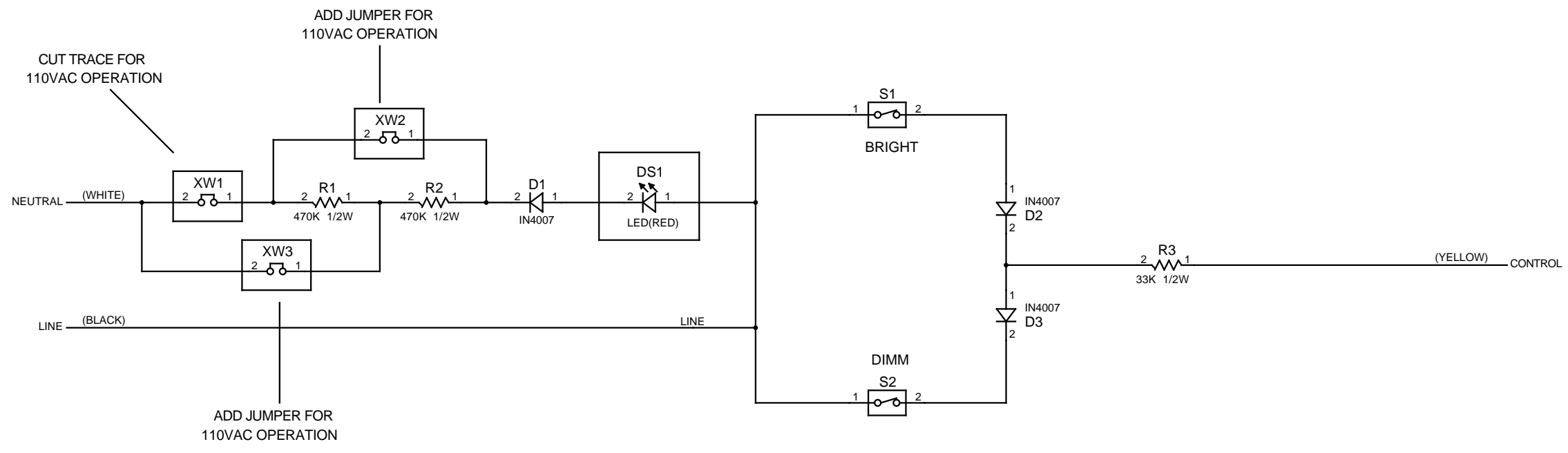
LEGEND

-  = P/N
-  = SCHEMATIC SHEET NUMBER

Block Diagram

NOTICE OF EDUCATIONAL INFORMATION  
 THE INFORMATION CONTAINED HEREIN IS  
 FOR EDUCATIONAL PURPOSES ONLY. ORYSHNET  
 SYSTEMS IS NOT RESPONSIBLE FOR ANY  
 USE OF THIS INFORMATION.

ORYSHNET SYSTEMS		SIZE D	DRAWING NUMBER OSR-3 PCS SLAVE	REV. A
		SCALE SEE SHEET 1	SHT 2 OF 4	



110VAC/220VAC SUPPORT

PART NUMBER	QTY	DESCRIPTION	ASSOCIATED REFERENCE DESIGNATORS	BOM OPTION
XXX-XXXX	1	ADD JUMPER 1	XW2	SPWR, 120VAC
XXX-XXXX	1	ADD JUMPER 2	XW3	SPWR, 120VAC
XXX-XXXX	1	EXISTING TRACE	XW1	PWR, 220VAC

OSR-3 Schematic

NOTICE OF EDUCATIONAL INFORMATION  
 THE INFORMATION CONTAINED HEREIN IS FOR EDUCATIONAL PURPOSES ONLY. ORYSHNET SYSTEMS IS NOT RESPONSIBLE FOR ANY USE OF THIS INFORMATION.

**ORYSHNET SYSTEMS**

SIZE D	DRAWING NUMBER OSR-3 PCS SLAVE	REV. A
SCALE SEE SHEET 1	SHT 3 OF 4	

1 2 3 4 5 6 7 8

A

A

GLOBAL NETS	
NET NAME	PAGE

REFERENCE DESIGNATIONS	
LAST USED	NOT USED
D3	
DS1	
R3	
S2	
XW3	

REFDES LOCATIONS	
D1	3-B4
D2	3-B5
D3	3-C5
DS1	3-B4
R1	3-B3
R2	3-B3
R3	3-B6
S1	3-B5
S2	3-C5
XW1	3-B3
XW2	3-B3
XW3	3-B3

REVISION HISTORY

OSR-3  
DESIGN CHANGES  
- VERSION A RELEASED

B

B

C

C

D

D

Reference Info & Revision History

NOTICE OF EDUCATIONAL INFORMATION  
THE INFORMATION CONTAINED HEREIN IS  
FOR EDUCATIONAL PURPOSES ONLY. ORYSHNET  
SYSTEMS IS NOT RESPONSIBLE FOR ANY  
USE OF THIS INFORMATION.

ORYSHNET SYSTEMS	SIZE D	DRAWING NUMBER OSR-3 PCS SLAVE	REV. A
	SCALE SEE SHEET 1	SHT 4 OF 4	

1 2 3 4 5 6 7 8